

AC Current Probe Model JM865A



The Model JM865A is a high performance AC current probe for higher currents. Excellent transformation and low phase shift, plus a broad frequency response, permit accurate measurements of current and power. The high quality magnetic core and uniform windings provide for accurate measurements up to 1000AAC/2000AAC/3600AAC. The “squared” jaw permits multiple conductor or bus bar positioning. The Model JM865A provides excellent True RMS capabilities and reliable signal reproduction.

The Model JM865A first works as a traditional current transformer providing current outputs (mA) over a broad range of transformation ratios. The Model JM865A is designed for use on DMMs, power and harmonic meters, recorders or instruments with AC current ranges.

Features

- Nominal range: 1000A, 2000A, 3000A (continuous cycle for the full temperature range)
- Transformation ratio: 1000:5, 2000:5, 3000:5
- Output: 5mAAC/AAC, 2.5mAAC/AAC, 1.666mAAC/AAC
- Designed for use on DMMs, power and harmonic meters, recorders or instruments with AC current ranges

Applications

- Field testing
- Electrical utility
- HVAC
- Industrial maintenance
- Laboratory
- Plant maintenance

Distributed by:
Valuetesters.com
sales@valuetesters.com

Tel: 602-795-8292, Fax: 602-795-4624



Technical Assistance (800) 343-1391

AC Current Probes Model JM865A (pdf) Rev. 03 10/05

www.aemc.com 1 of 4

Specifications

MODEL	JM865A
ELECTRICAL	
Nominal Range	1000A, 2000A, 3000A
Measurement Range	1 to 3600A
Transformation Ratio	1000:5, 2000:5, 3000:5
Output Signal	5mA _{AC} /A _{AC} (5A @ 1000A) 2.5mA _{AC} /A _{AC} (5A @ 2000A) 1.666mA _{AC} /A _{AC} (5A @ 3000A)
Accuracy (1000A Range)	
50A	3% of Reading
200A	1.5% of Reading
1000A	1% of Reading
Phase Shift (1000A Range)	
50A	3°
200A	1.5°
1000A	1°
Accuracy (2000A Range)	
100A	1.5% of Reading
400A	0.75% of Reading
2000A	0.5% of Reading
Phase Shift (2000A Range)	
100A	1.5°
400A	0.75°
2000A	0.5°
Accuracy (3000A Range)	
150A	1.5% of Reading
600A	0.75% of Reading
3000A	0.5% of Reading
Phase Shift (3000A Range)	
150A	1.5°
600A	0.75°
3000A	0.5°
Overload	1200A for 10 min (1000A) 2400A for 10 min (2000A) 3600A for 10 min (3000A)
Frequency Range	30 to 1500Hz; current derating above 1500Hz for continuous use
Load Impedance	0.1Ω (1000A); 0.2Ω (2000A); 0.4Ω (3000A)
Working/Common Mode Voltage	600V _{AC}
Output Termination	Jack
MECHANICAL	
Operating Temperature	14° to 122°F (-10° to 50°C)
Storage Temperature	-13° to 176°F (-25° to 80°C)
Jaw Opening	3.54" (90mm)
Maximum Conductor Size	Cable: 2.52" Ø max (64mm); Bus bar: 1.97 x 5.31" (50 x 135mm); 2.52 x 3.94" (64 x 100mm)
Dimensions	4.72 x 12.40 x 1.89" (120 x 315 x 48mm)
Weight	2.65 lbs (1200g)
Polycarbonate Material	Handles: 10% fiberglass charged polycarbonate UL94 V0; Jaws: ABS UL V2
SAFETY	
Electrical	EN61010-2-32
Electromagnetic Compatibility	EN 50081-1 Class B; EN 50082-2 Electrostatic discharge IEC 1000-4-2; Radiated field IEC 1000-4-3; Fast transients IEC 1000-4-4; Magnetic field at 50/60Hz IEC 1000-4-4
Double Insulation <input type="checkbox"/>	Yes
CE Mark	Yes

Note: Reference conditions:

23°C ± 3°K, 20 to 85% RH, 45 to 65Hz, external magnetic field <40A/m, no DC component, no external current carrying conductor, test sample centered.

Distributed by:



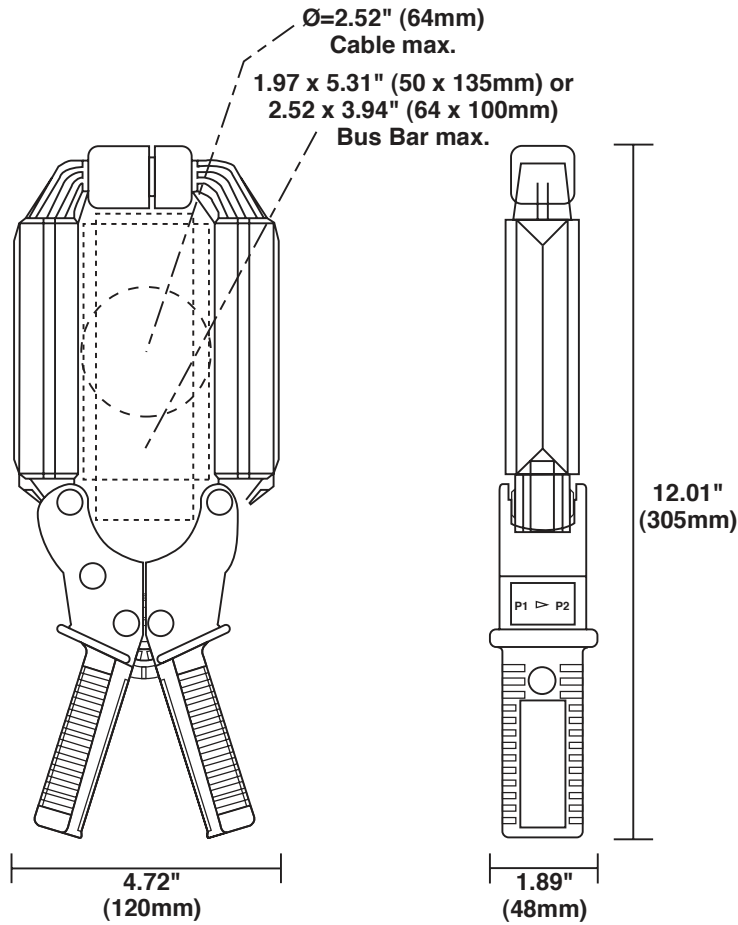
sales@valuetesters.com
Tel: 602-795-8292, Fax: 602-795-4624



Technical Assistance (800) 343-1391

AC Current Probes Model JM865A (pdf) Rev. 03 10/05

www.aemc.com 2 of 4



Jacks:
 Two standard
 safety banana
 jacks (4mm)

ORDERING INFORMATION	CATALOG NO.
AC Current Probe Model JM865A (Jack – 5mA/A – 1000A; 2.5mA/A – 2000A; 1.666mA/A – 30000A max) . . .	Cat. #2110.88
Includes a user manual	
Accessories (Optional)	
Banana plug adaptor (to nonrecessed plug)	Cat. #1017.45
Leads, set of 2, 5 ft safety (1000V)	Cat. #2111.29
Banana/BNC Connector XF-SS (4mm banana plug)	Cat. #2111.32

Distributed by:

 sales@valuetesters.com



Tel: 602-795-8292, Fax: 602-795-4624
 Technical Assistance (800) 343-1391

Contact Us

United States and Canada:

Chauvin Arnoux[®], Inc.
d.b.a. AEMC[®] Instruments
200 Foxborough Blvd.
Foxborough, MA 02035 USA
(508) 698-2115 • Fax (508) 698-2118
www.aemc.com

Customer Support – for placing an order, obtaining price and delivery:
customerservice@aemc.com

Sales Department – for general sales information:
sales@aemc.com

Repair and Calibration Service – for information on repair and calibration, obtaining a user manual:
repair@aemc.com

Technical and Product Application Support – for technical and application support:
techinfo@aemc.com

Webmaster – for information regarding www.aemc.com:
webmaster@aemc.com

South America, Central America, Mexico, Caribbean, Australia and New Zealand:

Chauvin Arnoux[®], Inc.
d.b.a. AEMC[®] Instruments
15 Faraday Drive
Dover, NH 03820 USA
(978) 526-7667 • Fax (978) 526-7605
export@aemc.com
www.aemc.com

All other countries:

Chauvin Arnoux SCA
190, rue Championnet
75876 Paris Cedex 18, France
33 1 44 85 45 28 • Fax 33 1 46 27 73 89
info@chauvin-arnoux.com
www.chauvin-arnoux.com

Distributed by:
 **Valuetesters.com**
sales@valuetesters.com
Tel: 602-795-8292, Fax: 602-795-4624