

AC Current Probe Model SR651



The Model SR651 is designed for use in industrial and utility environments. The unique ergonomic design allows it to easily clamp onto cables or small bus bars. It is built to the highest safety and performance standards including the CE Mark and is UL approved for Canada and United States.

Excellent transformation and low phase shift, plus a broad frequency response, permit accurate measurements of current for power and power quality measurements. The high quality magnetic cores and uniform windings provide sensitivity for very low level current measurements, as well as measurements up to 1200AAC. The Model SR651 provides an accurate voltage output of 1mV/A. This voltage output enables instruments without current ranges to measure, display log currents through an AC voltage range or measure very low AC.

Features

- Measurement range of 100mA to 1200AAC
- Large jaw opening accommodates conductors up to two 500MCM conductors
- Ergonomic design and easy operation
- Conforms to EN 61010, 600V Cat. III safety standard
- Low phase shift for power measurements
- Available with mV output signals
- Designed for DMMs, recorders, loggers, oscilloscopes, power and harmonic meters
- UL approved for Canada and United States
- Double Insulation
- CE Mark

Applications

- Power quality measuring
- Low industrial loads
- Measuring around cable bundles
- Power load monitoring
- Waveform analysis

Specifications

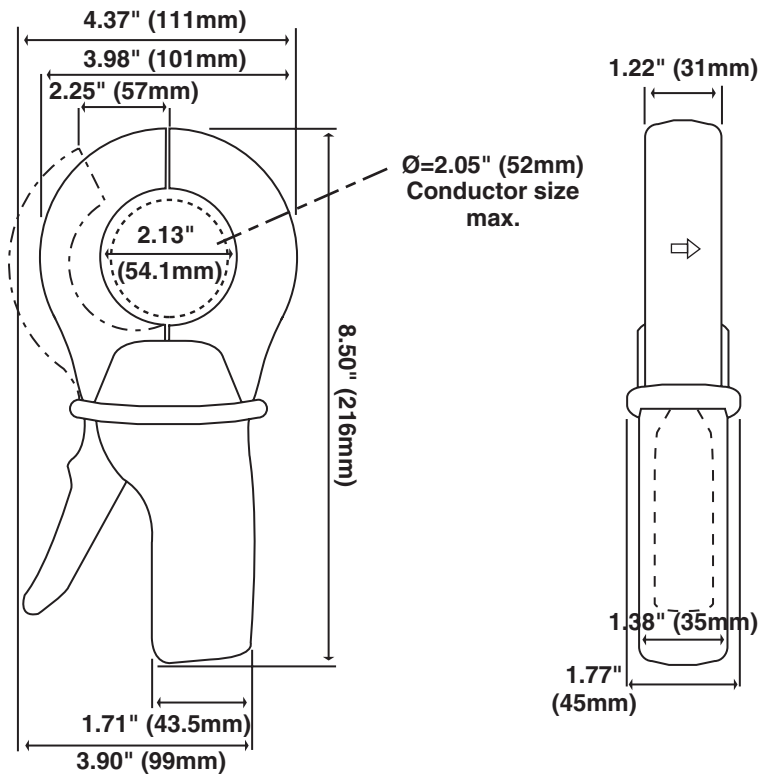
MODEL	SR651
ELECTRICAL	
Nominal Range	1000A
Measurement Range	0.1 to 1200A
Transformation Ratio	Voltage output
Output Signal	1mV/AAC/AAC (1VAC @ 1000A)
Accuracy (1000A Range)	
1 to 50A	≤3% ± 0.1A
50 to 200A	1.5% of Reading
200 to 1000A	0.75% of Reading
1000 to 1200A	0.5% of Reading
Phase Shift (1000A Range)	
50 to 200A	1.5°
200 to 1000A	0.75°
1000 to 1200A	0.5°
Overload	1200A for 40 min ON, 20 min OFF
Frequency Range	30Hz to 5kHz; current derating above 1kHz using the formula: 1000A x 1/F (in kHz)
Load Impedance	100kΩ min
Working/Common Mode Voltage:	600V Cat. III
Output Termination	Jack
MECHANICAL	
Operating Temperature	-14° to 122°F (-10° to 50°C)
Storage Temperature	-4° to 158°F (-20° to 70°C)
Operating Relative Humidity	0 to 85% @ 35°C
Jaw Opening	2.25" (57mm) max
Maximum Conductor Size	2.05" (52mm)
Maximum Bus Bar Size	One 1.95 x 0.19" (50 x 5mm)
Dimensions	4.37 x 8.50 x 1.77" (111 x 216 x 45mm)
Weight	1.21 lbs (550g)
Polycarbonate Material	Handles: Polycarbonate + ABS, Gray, UL94 V0. Jaws: Polycarbonate, Red, UL94 V0
SAFETY	
Electrical	EN 61010-2-032
UL Approval	Yes – Canada and United States
Double Insulation <input type="checkbox"/>	Yes
CE Mark	Yes

Note: Reference conditions:

23 ± 3°K, 20 to 75% RH, 48 to 65Hz, external magnetic field <40A/m, no DC component, no external current carrying conductor, test sample centered. Load impedance 1Ω.

Distributed by:


 sales@valuetesters.com
 Tel: 602-795-8292, Fax: 602-795-4624



Jacks:
Two standard safety banana jacks (4mm)

ORDERING INFORMATION	CATALOG NO.
AC Current Probe Model SR651 (Jack – 1mV/A – 1000A max)	Cat. #2113.45
Includes a user manual	
Accessories (Optional)	
Leads, set of two, 5 ft safety (1000V)	Cat. #2111.29
Banana plug adaptor (Safety Leads to nonrecessed plug)	Cat. #1017.45
Banana (Female) – BNC (Male) Adaptor	Cat. #2118.46

Distributed by:
 **Valuetesters.com**
 sales@valuetesters.com
 Tel: 602-795-8292, Fax: 602-795-4624

 **AEMC**
 INSTRUMENTS Technical Assistance (800) 343-1391

Contact Us

United States & Canada:

Chauvin Arnoux[®], Inc.
d.b.a. AEMC[®] Instruments
200 Foxborough Blvd.
Foxborough, MA 02035 USA
(508) 698-2115 • Fax (508) 698-2118
www.aemc.com

Customer Support – for placing an order, obtaining price & delivery:
customerservice@aemc.com

Sales Department – for general sales information:
sales@aemc.com

Repair and Calibration Service – for information on repair & calibration, obtaining a user manual:
repair@aemc.com

Technical and Product Application Support – for technical and application support:
techinfo@aemc.com

Webmaster – for information regarding www.aemc.com:
webmaster@aemc.com

South America, Central America, Mexico, Caribbean, Australia & New Zealand:

Chauvin Arnoux[®], Inc.
d.b.a. AEMC[®] Instruments
15 Faraday Drive
Dover, NH 03820 USA
(978) 526-7667 • Fax (978) 526-7605
export@aemc.com
www.aemc.com

All other countries:

Chauvin Arnoux SCA
190, rue Championnet
75876 Paris Cedex 18, France
33 1 44 85 45 28 • Fax 33 1 46 27 73 89
info@chauvin-arnoux.com
www.chauvin-arnoux.com