

### TNP Digital Torque Meter

**The Series TNP Digital Torque Meter is a precision instrument for measuring OPEN and CLOSE torque values for various applications.** The TNP Torque Meter is used in medical, pharmaceutical, industrial quality control, R&D and countless other torque applications.

As a cap torque analyzer, the TNP repeatedly determines bottle closure and breakaway torque. Its wide memory capacity is capable of storing 1,000 data points, including Average, Maximum and Minimum values. A HI-GO-LO LED comparator feature can be utilized for large batch testing to ensure overall product quality. The TNP is a portable device powered with internal rechargeable batteries or through provided universal AC adapter/charger.

Designed with a small footprint, it can easily be transferred between the shop floor and laboratory taking up little space when operating. The TNP Torque Meter comes standard with USB connection and cable for easy PC/Software interface. Combined with the free "Digitorg" Software, statistical testing, graphing and analysis can be performed.



Distributed by:  
**Valuetesters.com**  
sales@valuetesters.com  
Tel: 602-795-8292, Fax: 602-795-4624

#### Features

- Precise  $\pm 0.5\%$  F.S. accuracy ensures exact results
- Variety of applications met with ranges from 4.4 in·lb (50 N·cm) all the way to 88.5 in·lb (10 N·m)
- Quick & Easy set up with removable chuck pins that adjust test diameter size
- Memory function allows convenient storage of up to 1000 readings for later retrieval
- One touch operation enables quick reset for subsequent tests
- Large, easy to read LCD displays torque values in four selectable engineering units
- PC connectivity with USB interface and free Digitorg software enables data analysis and graphing on Microsoft® Excel
- Truly portable with compact, light-weight design and internal, rechargeable batteries
- Recharge batteries with included 120/240V AC adapter/charger or utilize adapter for continuous use
- Selectable measuring modes enables capture of Average, Peak Opening or Peak Closing values in either clock-wise (CW) or counter clock-wise (CCW) directions
- Speed up large batch tests with the integral Red/Green LED comparator that responds in accordance to pre-programmed tolerances
- Durable, cast-aluminum heavy-duty construction withstands demanding wear and tear
- Includes Factory Certificate, CE Approval and 2 Year Warranty!

TNP for Bottle  
Cap Removal



TNP Checking  
Gearbox Torque



A Nidec Group Company

**SHIMPO** All for dreams

## TNP Series Specifications

<b>Measuring Range</b>	<b>TNP-0.5:</b> 0-50.00 Ncm, 0-500.0 mNm, 0-5099 gcm, 0-4.425 lbin
	<b>TNP-2:</b> 0-2.000 Nm, 0-200.0 Ncm, 0-20.39 kgcm, 0-17.70 lbin
	<b>TNP-5:</b> 0-5.00 Nm, 0-500.0 Ncm, 0-50.99 kgcm, 0-44.25 lbin
	<b>TNP-10:</b> 0-10.00 Nm, 0-1000 Ncm, 0-102.0 kgcm, 0-88.5 lbin
<b>Test Sample Diameter Range</b>	0.39" - 7.48" (10 - 190 mm)
<b>Accuracy</b>	±0.5% / F.S.
<b>Display</b>	Main display: 4-digit LCD display, Character height 0.5" (12 mm)
<b>Comparator Display</b>	HI - GO - LO (green and red LED indicator)
<b>Display Update Time</b>	Select from 0.125 second (8 times/second), 0.25 second (4 times/second), 0.5 second (2 times/second), 1 second (1 time/second). Peak display: 0.125 second
<b>Measuring Mode</b>	Opening Mode: Show max value when opening (peak display) Displays max counterclockwise torque
	Closing Mode: Show max value when closing (peak display) Displays max clockwise torque
	Average Mode: Real time display (average value display) Displays torque in real time
<b>Overload</b>	150% of full scale
<b>Sampling Rate</b>	1000 Hz
<b>Memory</b>	1000 data (max)
<b>Data Output</b>	USB1.1
<b>PC Software</b>	Digitorq software (free, download from web site: <a href="http://www.shimpointst.com">www.shimpointst.com</a> )
<b>Power</b>	Built in nickel hydride battery (NiMH) or Auto-ranging AC adapter (AC100 - 240V)
<b>Battery Information</b>	NiMH: 8 hours use after full charge. 16 hour max. recharge time.
<b>Operating Environment</b>	32 - 104°F (0 - 40°C)
<b>Dimensions</b>	12.60" x 8.94" x 4.96" (320 x 227x 126 mm)
<b>Product Weight</b>	TNP-0.5, -2, -5 = Approx. 17.6 lb (8 kg); TNP-10 = 27.5 lb (12.5 kg)
<b>Package Weight</b>	TNP-0.5, -2, -5 = Approx. 19 lb (8.6 kg); TNP-10 = 30.7 lb (13.9 kg)
<b>Software</b>	DigiTorque TNP Free Download from <a href="http://www.shimpointst.com">www.shimpointst.com</a>
<b>Included Accessories</b>	USB cable, 120/240 VAC AC adapter, 30mm chuck pin (4pcs)
<b>Certifications</b>	CE
<b>Warranty</b>	2-Year

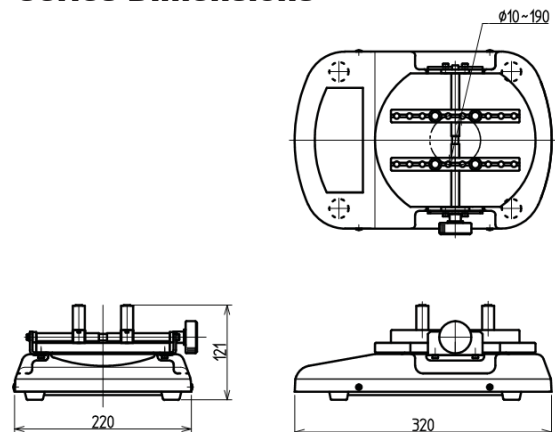
## Ordering Details

<b>TNP-0.5</b>	Range of 0-4.425 in-lb (5099 g·cm, 500.0 mN·m, 50.00 N·cm)
<b>TNP-2</b>	Range of 0-17.70 in-lb (20.39 kg·cm, 200.0 N·cm, 2.000 N·m)
<b>TNP-5</b>	Range of 0-44.25 in-lb (50.99 kg·cm, 500.0 N·cm, 5.000 N·m)
<b>TNP-10</b>	Range of 0-88.5 in-lb (102.0 kg·cm, 1000 N·cm, 10.00 N·m)
<b>NIST-TORQUE</b>	NIST traceable certificate of calibration with data

## Accessories

<b>TNP-TP30</b>	Set of four 30 mm long (1.18") replacement torque pins
<b>TNP-TP50</b>	Set of four 50 mm long (1.97") torque pins
<b>FG-09V120UC</b>	Universal charger adapter for 120/240 VAC

## TNP Series Dimensions



DISTRIBUTED BY:



A Nidec Group Company

**SHIMPO** All for dreams