

FiberTEK IV

Troubleshooting

Red laser light source to visually pinpoint faults and locate fiber ports

Receive LED indicator

Flashes red to warn of light from other sources, green when linked to FiberTEK IV

Supports all common connector types

SC, FC, ST adapters included. LC adapters optional

Certification

Tier-1 certification of single-mode and multimode fiber optic cabling

Simplified bi-directional measurements

Eliminates process of manually merging directional tests into one record

Encircled Flux compliance

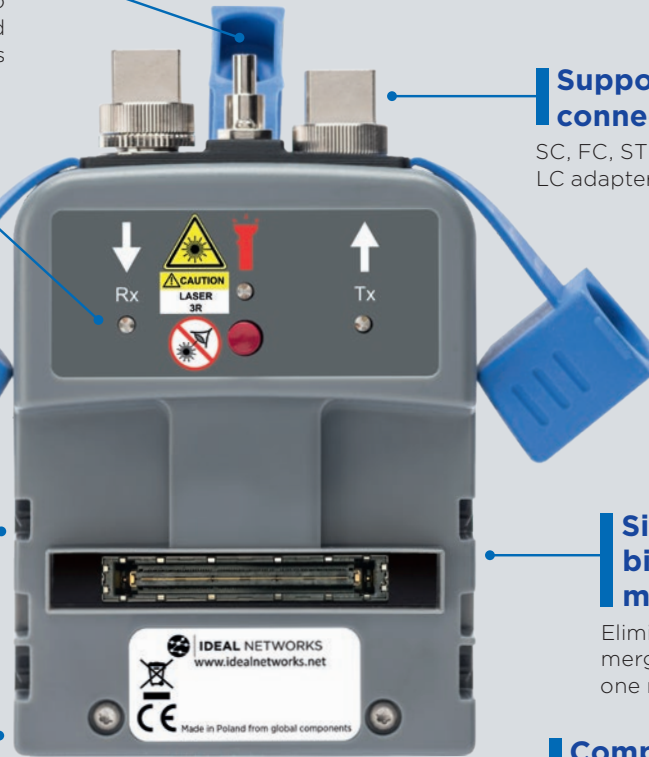
Enables compliance to the new 2016 fiber standards IEC 14763-3 and ANSI/TIA- 526-14-C (optional accessory – see back page for details)

Field calibration

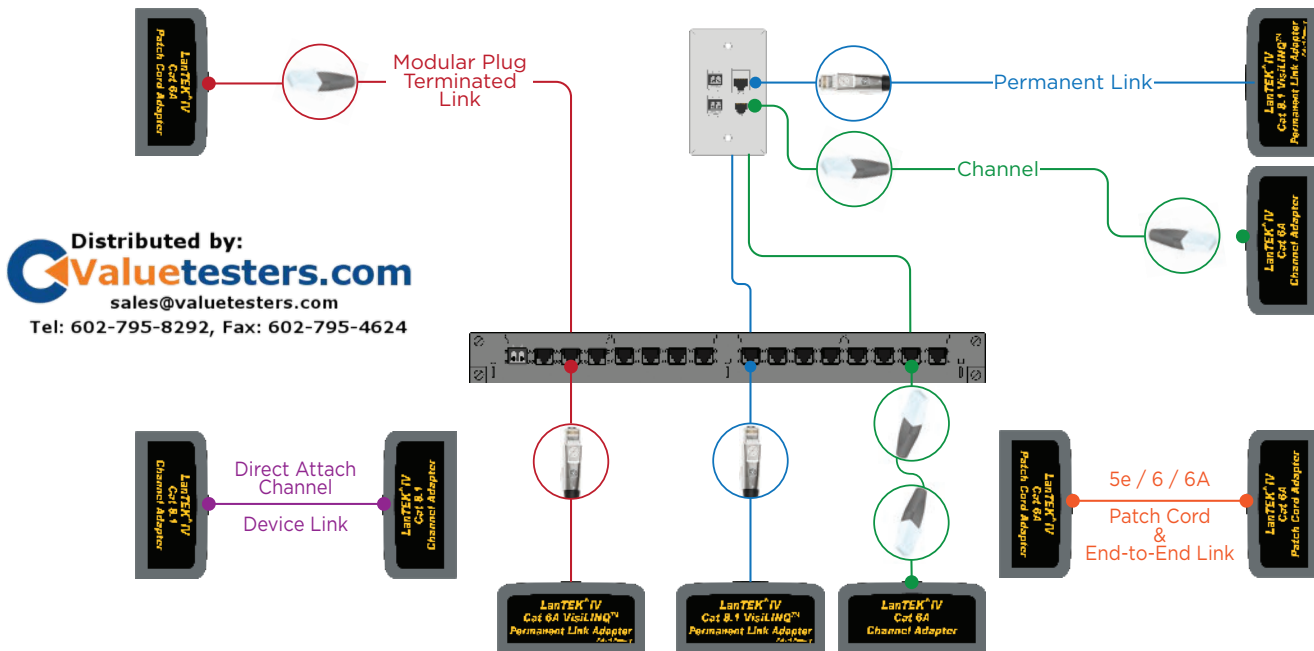
Allows 1 and 3 jumper field calibration methods to ensure accuracy and compliance to ISO/IEC and ANSI/TIA standards

Complies with all international standards including ANSI/TIA, ISO/IEC

See website for full details



Applications



Distributed by:
Valuetesters.com
 sales@valuetesters.com
 Tel: 602-795-8292, Fax: 602-795-4624