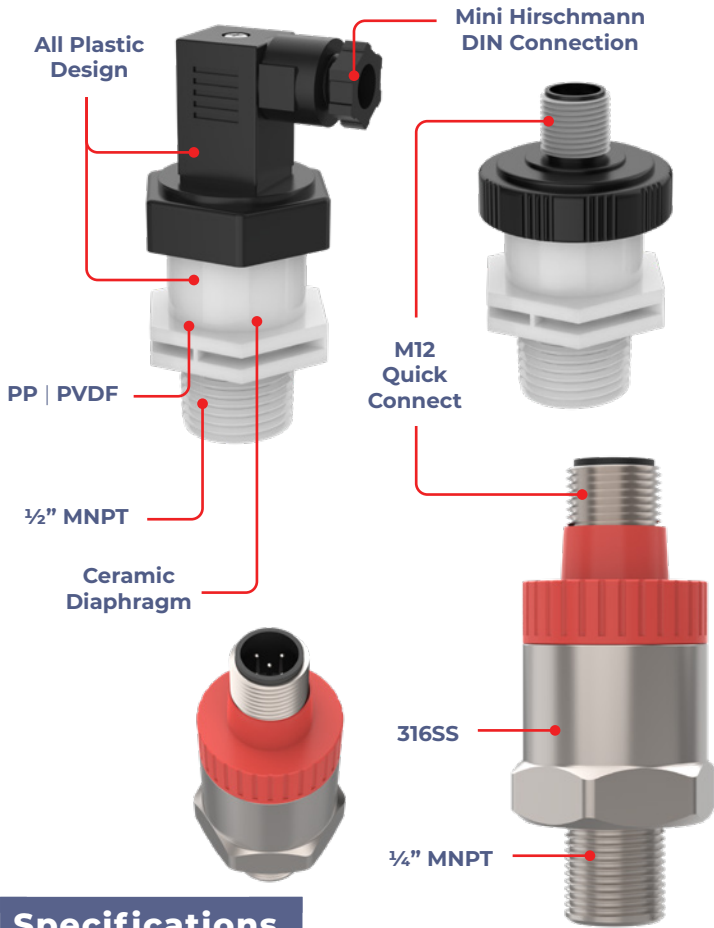


Truflo® — LP50 Series

Pressure Sensor Transmitter | Switch

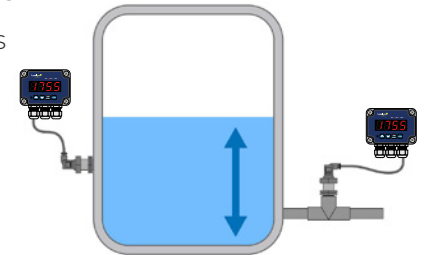


Features

- ✓ PP | PVDF | 316SS Body
- ✓ 0 – 30 | 0 – 50 | 0 – 100 | 0-150 Psi*
- ✓ 4-20mA Output | 2 Wire Loop Powered
- ✓ Ceramic Sensing Diaphragm
- ✓ 0.5% F.S | High Accuracy
- ✓ Excellent Chemical Resistance

The **LP50 Pressure Sensor Transmitter** was designed to measure pressure or level within industry's most demanding corrosive process applications. When measuring pressure It can be mounted vertically or horizontally, and can easily be installed into a threaded process pipe tee fitting.

The LP50 implements a state of the art ceramic measuring principle that changes the physical pressure (which equates to no more than a few microns), into a linear electronic signal that can be measured. This minimal deformation applies negligible material strain on the ceramic electronic pressure-sensing diaphragm, resulting in high resistance to alternating loads and long-term durability. Perfect for tough industrial applications.



Specifications

Range*	0-30psi 0-50psi 0-100psi 0-150psi *
Medium	H ₂ O Corrosive Liquid Gases
Accuracy	0.5% F.S
Power Supply	18 - 36VDC
Output Signal	4-20mA 2 Wire 3 Wire
Medium Temperature	-35 – +85°C
Environment Temperature	-40 – +80°C
Store Temperature	-40 – +80°C
Temperature Effect	±0.02% FS
Pressure Connection	½" MNPT FNPT ¼" MNPT (SS)
Electrical Connection	Hirschmann DIN M12 Quick Connect

*Please consult factory for alternative pressure ranges.

Applications

- ✓ Chemicals
- ✓ Acids | Bases
- ✓ Tank Level
- ✓ Industrial Process Piping
- ✓ Vapor Pressure
- ✓ Leak Detection Equipment

Model Selection

Size	Part Number	Material
½" MNPT	LP50-PP-M-X	PP
½" MNPT	LP50-PF-M-X	PVDF
¼" MNPT	LP50-SS-M-X	316SS
½" FNPT	LP50-PP-F-X	PP
½" FNPT	LP50-PF-F-X	PVDF

X = Pressure Range

30 ▶ 0 - 30 Psi

50 ▶ 0 - 50 Psi

100 ▶ 0 - 100 Psi

150 ▶ 0 - 150 Psi

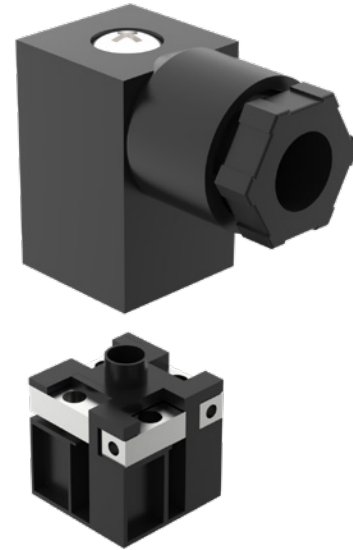
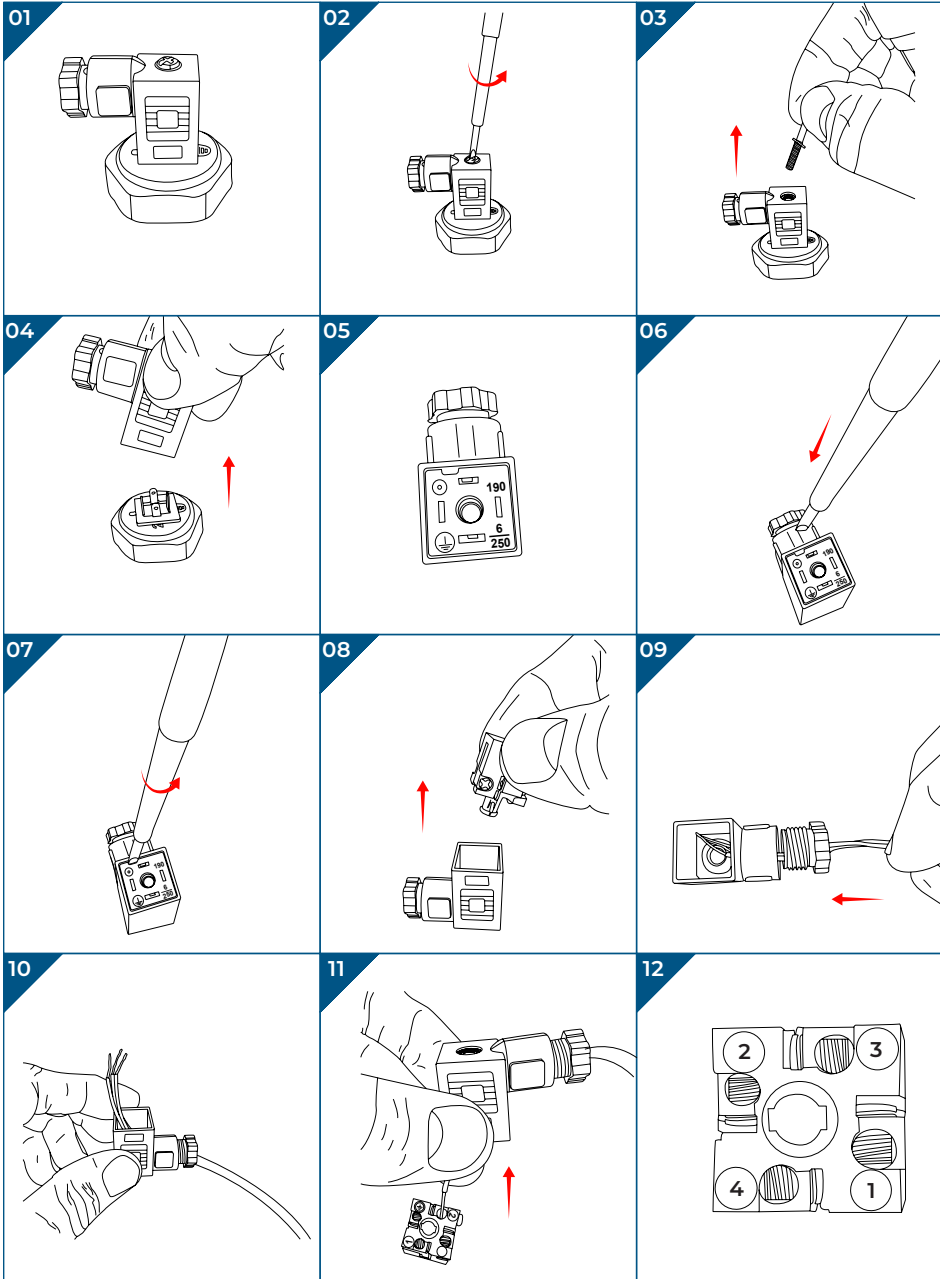
Consult Factory
for Alternative
Pressure Ratings



Truflo® — LP50 Series Pressure Sensor Transmitter | Switch



Hirschmann DIN Connection



Pin 1: 4-20mA +
Pin 2: 4-20mA -
Pin 2: Ground

M12 Connection

Pin 1: 4-20mA + (Brown)
Pin 2: 4-20mA - (Blue)