



### Description & Features:

- Most economical, all-purpose pressure gauge
- 1.5" (40mm) to 4" (100mm) sizes
- Friction bezel rings
- Black steel case
- Brass or lead free brass wetted parts
- $\pm 3-2-3\%$  accuracy
- ASME B40.100 compliant (EN837-1 available)
- CRN registered
- 5 year warranty

### Applications:

- General purpose gauge for plumbing, heating, air conditioning, pneumatic, hydraulic, water tanks, air compressors, OEM
- Lead free version for potable water systems
- Suitable for non-clogging and non-corroding media

### Specifications

Specifications	
<b>Dial</b>	1.5" (40mm), 2" (50mm), 2.5" (63mm), 4" (100mm) white aluminum with black and red markings
<b>Case</b>	Steel, painted black (plastic available)
<b>Lens</b>	1.5" (40mm), 2" (50mm), 2.5" (63mm): Acrylic 4" (100mm): Glass
<b>Ring</b>	1.5" (40mm), 2" (50mm): Steel, painted black 2.5" (63mm), 4" (100mm): Steel, chrome plated
<b>Socket</b>	PEM: Brass PEM-LF: Lead free brass
<b>Connection</b>	1/8" NPT or 1/4" NPT standard
<b>Bourdon Tube</b>	PEM: Phosphor bronze PEM-LF: Lead free phosphor bronze
<b>Movement</b>	Brass
<b>Pointer</b>	Aluminum, black
<b>Welding</b>	Silver alloy
<b>Over-pressure Limit</b>	25% of full scale value
<b>Working Pressure</b>	Maximum 75% of full scale value
<b>Ambient/Process Temperature</b>	-40°F to 150°F (-40°C to 65°C)
<b>Accuracy</b>	$\pm 3-2-3\%$ ANSI/ASME Grade B
<b>Enclosure Rating</b>	IP52

**PEM Order Codes (products in bold are normally stock in North America)**

Dial Size	1.5" (40mm)		2" (50mm)				2.5" (63mm)		4" (100mm)	
Connection	1/8" Bottom	1/8" Back (CB)	1/8" Bottom	1/8" Back (CB)	1/4" Bottom	1/4" Back (CB)	1/4" psi only Bottom	1/4" Bottom	1/4" Back (CB)	1/4" Bottom
Case Material	Steel						Plastic	Steel		
30" Hg Vac/kPa	PEM1297	PEM1397	PEM195	PEM1424	PEM135	PEM1428	PEM1398	PEM210	PEM1431	PEM220
30"/0/15 psi/kPa	-	-	-	-	-	-	-	PEM152	-	-
30"/0/30 psi/kPa	-	-	-	-	-	-	-	PEM153	-	-
30"/0/60 psi/kPa	-	-	-	-	-	-	-	PEM154	-	-
30"/0/100 psi/kPa	-	-	-	-	-	-	-	PEM155	-	-
0/15 psi/kPa	PEM1299	PEM1399	PEM196	PEM1425	PEM136	PEM1429	-	PEM211	PEM1436	PEM295
0/30 psi/kPa	PEM1300	PEM1400	PEM206	PEM1402	PEM199	PEM1403	PEM200	PEM212	PEM1437	PEM221
0/60 psi/kPa	PEM1301	PEM1401	PEM207	PEM1404	PEM201	PEM1405	PEM194	PEM213	PEM1438	PEM222
0/100 psi/kPa	PEM1320	PEM1420	PEM208	PEM1406	PEM202	PEM1407	-	PEM214	PEM1439	PEM223
0/160 psi/kPa	PEM1321	PEM1421	PEM197	PEM1408	PEM203	PEM1409	-	PEM215	PEM1440	PEM224
0/200 psi/kPa	PEM1322	PEM1422	PEM209	PEM1426	PEM204	PEM1410	-	PEM216	PEM1441	PEM225
0/300 psi/kPa	PEM1323	PEM1423	PEM198	PEM1427	PEM205	PEM1411	-	PEM217	PEM1442	PEM226
0/400 psi/kPa	-	-	-	-	-	PEM1414	-	PEM219	PEM3412	PEM227
0/600 psi/kPa	-	-	-	-	-	PEM1412	-	PEM218	PEM3413	-
0/1,000 psi/kPa	-	-	-	-	-	-	-	PEM290	-	-
0/3,000 psi/kPa	-	-	-	-	-	-	-	PEM291	-	-
0/5,000 psi/kPa	-	-	-	-	-	-	-	PEM292	-	-

**PEM-LF Order Codes (products in bold are normally stock in North America)**

Dial Size	1.5" (40mm)		2" (50mm)				2.5" (63mm)		4" (100mm)
Connection	1/8" Bottom	1/8" Back (CB)	1/8" Bottom	1/8" Back (CB)	1/4" Bottom	1/4" Back (CB)	1/4" Bottom	1/4" Back (CB)	1/4" Bottom
Case Material	Steel						Steel		
30" Hg Vac/kPa	PEM1297LF	PEM1397LF	PEM195LF	PEM1424LF	PEM135LF	PEM1428LF	PEM210LF	PEM1431LF	PEM220LF
30"/0/15 psi/kPa	-	-	-	-	-	-	PEM152LF	-	-
30"/0/30 psi/kPa	-	-	-	-	-	-	PEM153LF	-	-
30"/0/60 psi/kPa	-	-	-	-	-	-	PEM154LF	-	-
30"/0/100 psi/kPa	-	-	-	-	-	-	PEM155LF	-	-
0/15 psi/kPa	PEM1299LF	PEM1399LF	PEM196LF	PEM1425LF	PEM136LF	PEM1429LF	PEM211LF	PEM1436LF	-
0/30 psi/kPa	PEM1300LF	PEM1400LF	PEM206LF	PEM1402LF	PEM199LF	PEM1403LF	PEM212LF	PEM1437LF	PEM221LF
0/60 psi/kPa	PEM1301LF	PEM1401LF	PEM207LF	PEM1404LF	PEM201LF	PEM1405LF	PEM213LF	PEM1438LF	PEM222LF
0/100 psi/kPa	PEM1320LF	PEM1420LF	PEM208LF	PEM1406LF	PEM202LF	PEM1407LF	PEM214LF	PEM1439LF	PEM223LF
0/160 psi/kPa	PEM1321LF	PEM1421LF	PEM197LF	PEM1408LF	PEM203LF	PEM1409LF	PEM215LF	PEM1440LF	PEM224LF
0/200 psi/kPa	PEM1322LF	PEM1422LF	PEM209LF	PEM1426LF	PEM204LF	PEM1410LF	PEM216LF	PEM1441LF	PEM225LF
0/300 psi/kPa	PEM1323LF	PEM1423LF	PEM198LF	PEM1427LF	PEM205LF	PEM1411LF	PEM217LF	PEM1442LF	PEM226LF
0/400 psi/kPa	-	-	-	-	-	-	PEM219LF	-	PEM227LF
0/600 psi/kPa	-	-	-	-	-	-	PEM218LF	PEM3413LF	-
0/1,000 psi/kPa	-	-	-	-	-	-	PEM290LF	-	-
0/3,000 psi/kPa	-	-	-	-	-	-	PEM291LF	-	-
0/5,000 psi/kPa	-	-	-	-	-	-	PEM292LF	-	-

Other ranges and connection sizes available upon request. For scale change, refer to How to Order Guide for scale codes.

For options, attach suffix to end of order code: i.e. PEM1399-GL15 for 1.5" GLASS LENS.

**Option suffix:**

ECASE15SSBK = 1.5" (40mm) SS back case connection

ECASE15SSBTM = 1.5" (40mm) SS bottom connection

ECASE20SSBK = 2" (50mm) SS case back connection

ECASE20SSBTM = 2" (50mm) SS case bottom connection

EN = EN837-1 compliant

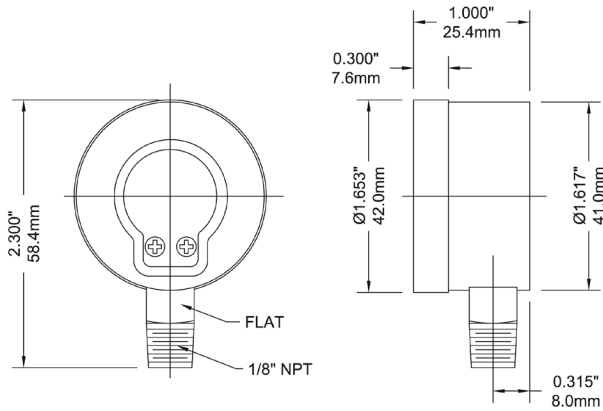
GL15 = Glass lens for 1.5" (40mm) dial

GL2 = Glass lens for 2" (50mm) dial

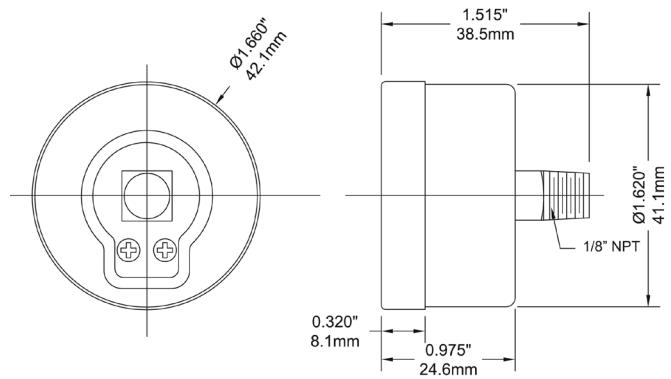
GL25 = Glass lens for 2.5" (63mm) dial

Note: For 1.5" to 2" SS internals, please see PRL Series Regulator Gauges.

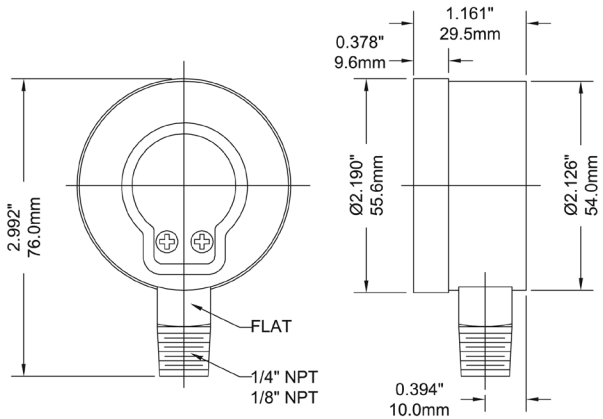
### 1.5" Bottom Connection



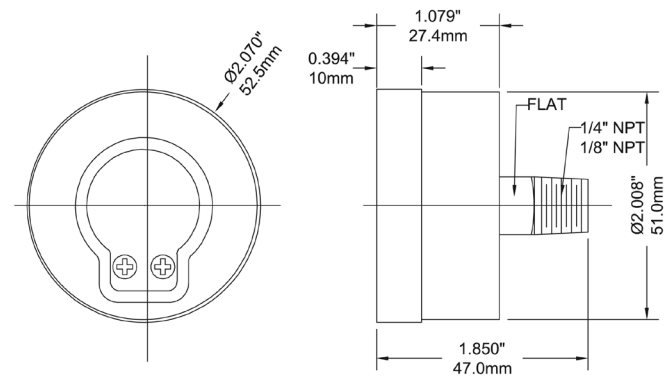
### 1.5" Back Connection



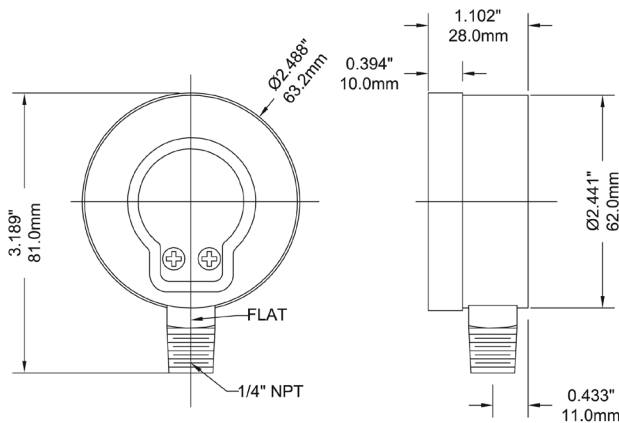
### 2" Bottom Connection



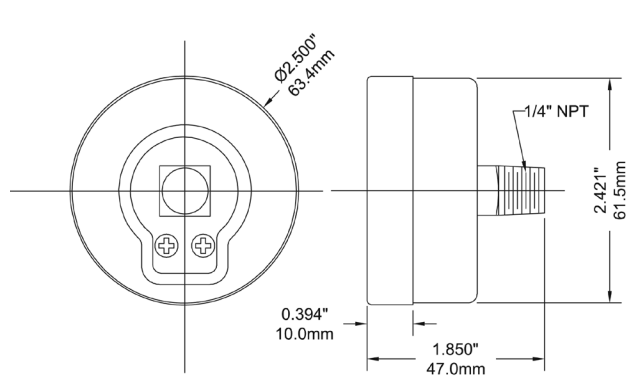
### 2" Back Connection



### 2.5" Bottom Connection



### 2.5" Back Connection



### 4" Bottom Connection

