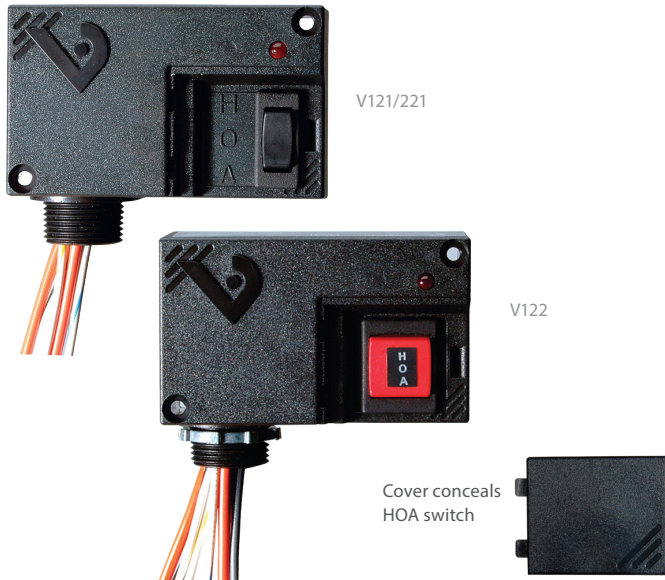


# VICTORY 121, 122 & 123 SERIES

HOA Switch Provides Local Control



The Victory 121, 122, and 123 Series HOA relays have a concealed HOA switch for local control and troubleshooting with limited unauthorized switch manipulation. To further guard against control system override, the V122 and V123 are equipped with a monitored HOA. The V122 provides a two-wire resistive output and the V123 offers a three-wire digital monitor. Now you can enjoy the convenience of local control with none of the drawbacks.

## SPECIFICATIONS

Operating Temp. Range	-40 to 60 °C (-40 to 131 °F)
Operating Humidity Range	10 to 90% RH non-condensing
Expected Relay Life	Electrical (@ rated current) 100,000 cycles; Mechanical (unpowered) 10,000,000 cycles
Relay Status	LED ON=energized
Insulation Class	277 Vac RMS

## WIRE SPECIFICATIONS

Lead Length	14" (356 mm) min.
Gauge	UL1015; Coil: 18 AWG; Contacts: 12 AWG; HOA monitor wires: 16 AWG

## V122 RESISTIVE MONITOR MAXIMUMS

Voltage Max.	13.4 Vac/dc
Current Max.	4 mA AC/DC

## V123 DIGITAL MONITOR MAXIMUMS

Dry Circuit Contact Rating (Max.)	24 Vac/dc@100 mA
-----------------------------------	------------------

## WARRANTY

Limited Warranty	5 years
------------------	---------

## Protective cover

Conceals and protects the HOA switch, reducing the likelihood of tampering

## Nipple mount

Allows the V121 Series to be mounted to any electrical enclosure easing installation

## Switch position monitors

Allows the control system to notify personnel when a load is inadvertently left ON or OFF (V122 & V123 models)

## Flexible wire

Flexible tinned stranded wire... fits easily in tight spaces and provides secure connections to wire nuts

## UL508 Listed

Designed and listed for field installation...makes electrical inspection a snap

## Sleek enclosure

Reduces the need for panel space

## APPLICATIONS

- Command contactors
- Control motors
- Isolation
- Device interlocking
- Relay logic
- Sense voltages for alarm conditions

## TYPICAL COIL PERFORMANCE

Voltage	Coil Current	
	AC	DC
24 V	75 mA	32 mA
120 V	42 mA	
208 V	36 mA	
277 V	39 mA	

## CONTACT RATINGS

V121, V221	
Resistive	20 A @ 240 Vac
	8 A @ 28 Vdc
	12 A @ 14 Vdc
Motor	1 HP ! 120 Vac
V122, V123	
Resistive	20 A @ 240 Vac
	8 a @ 28 Vdc
	14 A @ 14 Vdc
Motor	1 HP @ 250 Vac

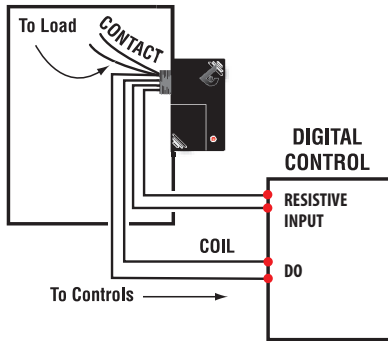
## AGENCY APPROVALS

Agency Approvals	UL 508
------------------	--------

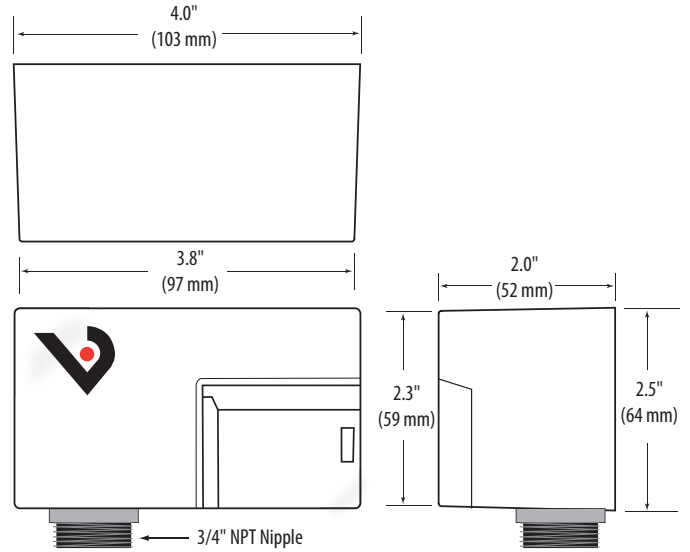


### NIPPLE MOUNT DIRECTLY TO A PANEL

Wiring Diagram

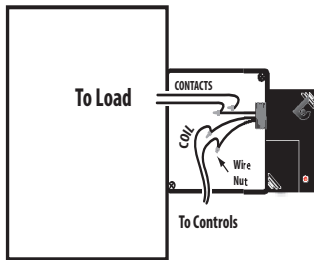


### DIMENSIONAL DRAWING

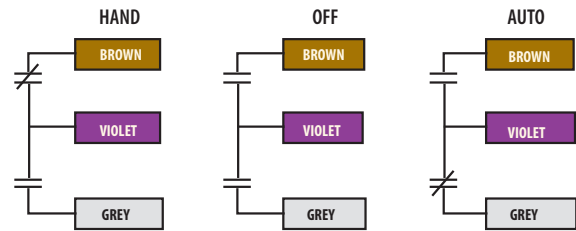


### NIPPLE MOUNT TO ANY 2X OR 4X ELECTRICAL BOX

Wiring Diagram



### V123 DIGITAL HOA POSITION MONITOR

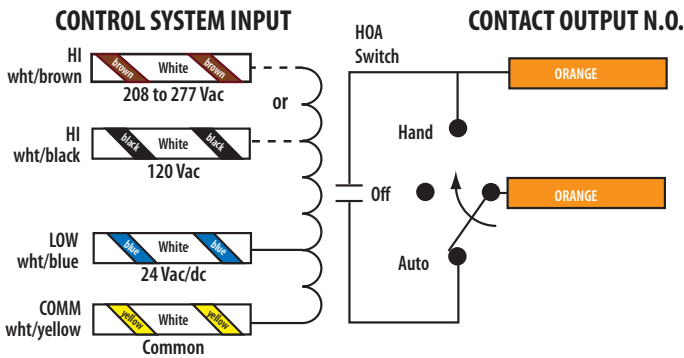


Switch Positions:

HAND = Brown wire closed to Common  
OFF = Both wires open to Common

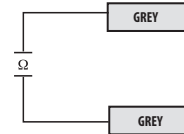
AUTO = Grey wire closed to Common  
VIOLET = Common

### WIRE COLOR CODES



### V122 RESISTIVE HOA POSITION MONITOR

Switch Positions: Cable Faults:  
HAND ~ 1.4 k $\Omega$  OPEN = Infinite  $\Omega$   
OFF ~ 6.2 k $\Omega$  SHORT ~ 0  $\Omega$   
AUTO ~ 3.4 k $\Omega$



### ORDERING INFORMATION

MODEL	RELAY	COIL	AMPERAGE RATING	HOA	HOA MONITOR	RELAY POWER LED	UL
V121	SPST, N.O.	24 Vac/dc, 120 Vac	20 A	•	None	•	•
V122		24 Vac/dc, 120 Vac		•	Resistive	•	•
V123		24 Vac/dc, 120 Vac		•	Digital	•	•
V221		24 Vac/dc, 208 to 277 Vac		•	None	•	•

Note: Some units are Plenum rated per UL 1995. For details, see White Paper VWP01, UL 1995 and Plenum Ratings, at [www.veris.com](http://www.veris.com).